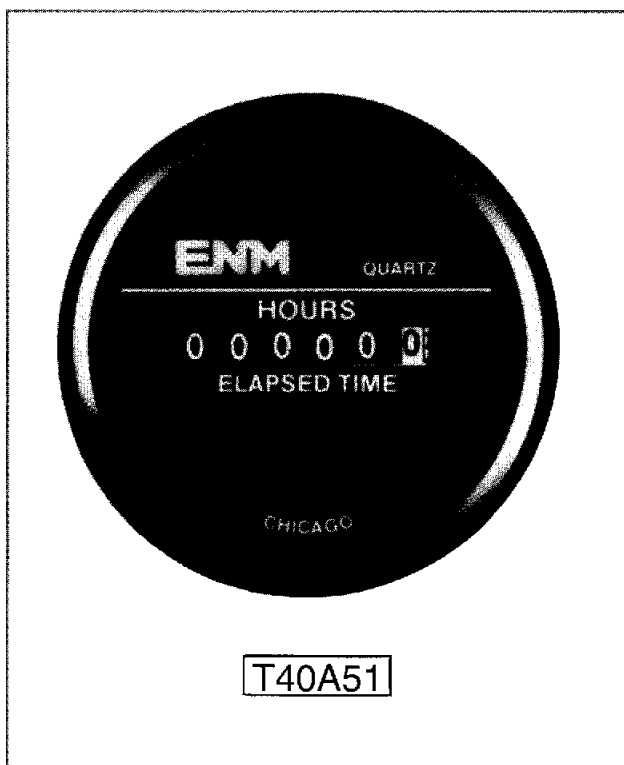


Engine Operated DC Hour Meter, T40A51 Technical Data

Measures True Engine Time for Automotive type Electrical Systems

414



ENM's new hour meter operates only when the engine is running. This unique feature is accomplished by sensing the output from the engine's alternator. When the engine is operating, the system voltage increases above the battery voltage. This increase is detected and the hour meter starts accumulating time.

- No special wiring is required. Interchangeable with standard round hour meters.
- Accumulated hours are stored on a mechanical indicating counter; therefore, no battery is required to maintain elapsed time.
- A quartz crystal time base insures accurate long-term timekeeping.
- The T40 contains an input diode for polarity protection.
- Illuminated models are available.
- The hour meter is completely sealed and designed for rugged applications such as Tractors, Generators, Construction Equipment and other engine applications.

SPECIFICATIONS

Time Scale:	6-digits 99,999.9	Automatic recycle to zero
Figures:	Hours - White on Black; Tenths - Red on White	Height - 0.140"
Operating voltage:	12 Volt electrical systems	Other Voltages are available
Accuracy:	Better than +/- 0.02%	
Temperature:	Standard - 30°C to + 65°C (-22°F to + 149°F)	Special - 40°C to + 85°C (-24°F to + 185°F)
Vibration Resistance:	Withstands 10 to 75 Hz. at 1 to 8 G's	
Protected from:	Alternator load dump, Inductive switching and Reverse polarity	
Termination:	1/4" male blade terminals	
Configuration:	Round SAE Bezel with new push-on retaining ring Round 3-hole Bezel Other mounting styles are available.	

1995 ENM Co.

ENM

ENM Company
5617 Northwest Highway
Chicago, IL 60646-6135
(312) 775-8400 Fax: (312) 775-5968

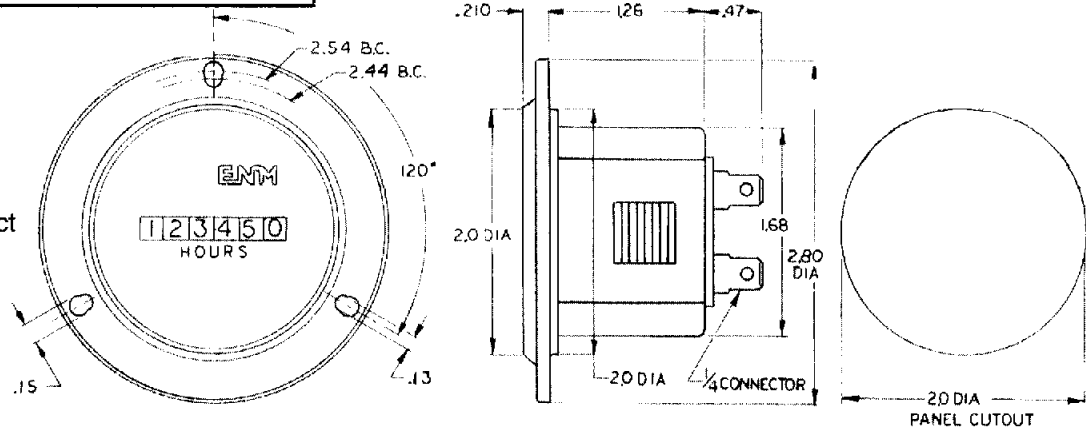
T40A51

Dimensional Data

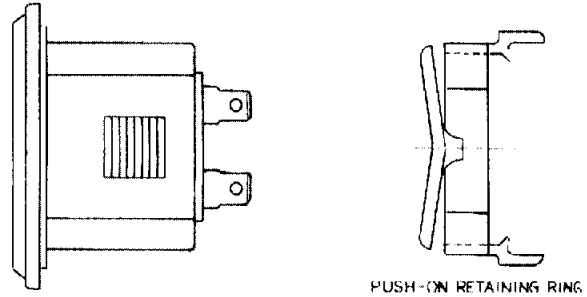
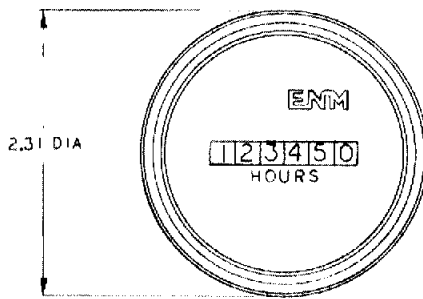
T40A51 Round 3-Hole Bezel

Available to facilitate installation are:

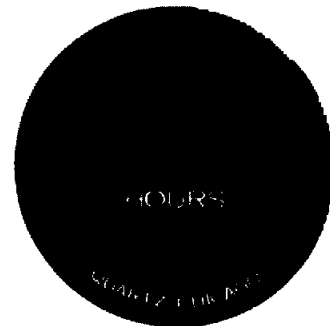
Two 12" long wires with insulated quick disconnect and screw terminals.



T40A51 Round SAE Bezel



Custom face Plates are Available.



Above Data is for Reference Only.

Certified dimensions Available Upon Request

Limited Warranty/Hour Meters

ENM Company hour meters are warranted to the consumer to be free from defects in material and workmanship for a period of 10,000 operating hours or for a period of 3 years, whichever first occurs. All ENM products which fall within the warranty period due to defects in material or workmanship will be repaired or replaced, at ENM's option, without charge to the consumer when returned with a proof of purchase to any authorized ENM dealer in the United States, transportation charges prepaid, provided there is no evidence of improper installation, tampering, or other abuse. All implied warranties, including any implied warranty of merchantability or fitness for a particular purpose, shall be limited in duration to the express warranty period specified above. ENM disclaims any liability for consequential damages due to breach of any written or implied warranty on its hour meters.

© 1995 ENM Co. Patent pending



ENM Company
5617 Northwest Highway
Chicago, IL 60646-6135
(312) 775-8400 Fax: (312) 775-5968