

Electronic Hour Meters Solid State DC Hour Meter, **Series T14**



T14BH Back of Panel



T14BH Front of Panel



T14BG Round SAE Bezel

ENM's Series T14 Mini DC Hour Meter is the answer to industry's demand for low cost, small size, and high reliability in elapsed time measurement. Electromechanical wheel-type indication can't forget or be "wiped out" like touchy LEDs or LCDs and requires no battery back-up. The Series T14 Hour Meter is ideally suited for leasing, maintenance and warranty programs.

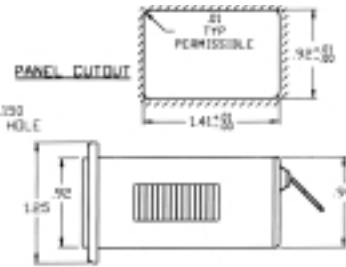
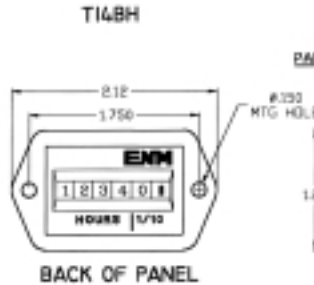
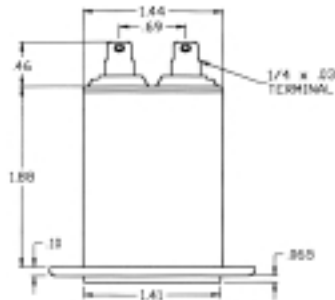
Specifications

Time Scale:	5-digits, choice of 99,999 hours or 9,999.9 hour standard, automatic recycle to zero.
Character Height:	Height - 0.140"
Operating Voltage:	8-32 V DC, other voltages are available.
Operating Temperature:	Standard -30°C to +65°C (-22°F to +149°F) Special -40°C to +85°C (-40°F to +185°F)
Vibration Resistance:	Withstands 10 to 75 Hz at 1 to 8 g's
Accuracy:	Better than +/- 0.02% over entire range.
Protected from:	Alternator load dump, inductive switching and reverse polarity.
Configuration:	Round SAE Bezel with bracket. Other mounting styles are also available.
Warranty:	10,000 hrs/ 3 yrs

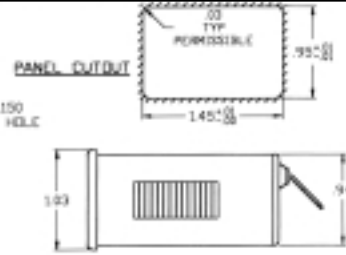
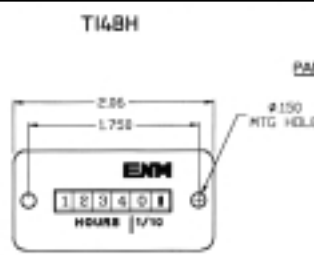
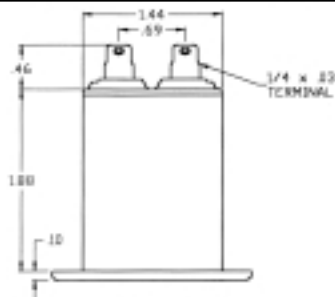
Features

- Solid State Electronic Drive Circuit
- Quartz Crystal Timing
- Absolutely Will Not Lose Count
- No Battery Back-Up Required
- Input is Polarity Protected
- High Impact, Tamperproof Plastic Case
- Totally Water Sealed
- UL & CE Recognized
- **Made in the U.S.A.**

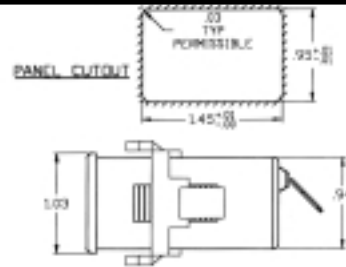
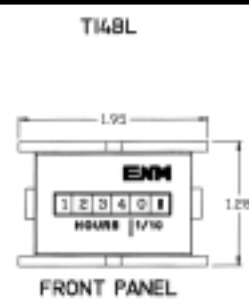
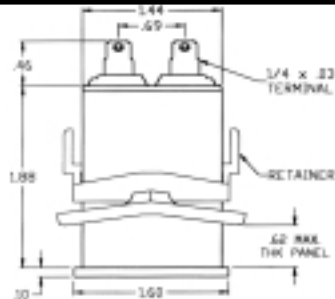
(ALL DIMENSIONS IN PARENTHESIS ARE MM.)



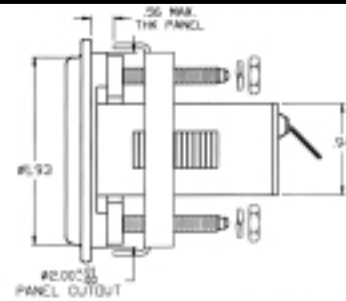
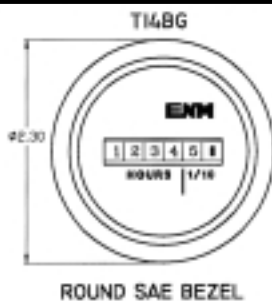
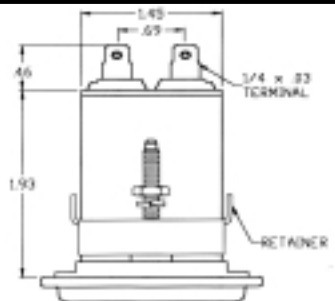
BACK OF PANEL



FRONT PANEL



FRONT PANEL



ROUND SAE BEZEL

2002 ENM Co.®

LIMITED WARRANTY

ENM Company products are warranted to the consumer to be free from defects in material and workmanship for a period of 1 year. All ENM products which fall within the warranty period due to defects in material or workmanship will be repaired or replaced, at ENM's option, without charge to the consumer when returned with proof of purchase to any authorized ENM dealer in the United States, transportation charges prepaid, provided there is no evidence of improper installation, tampering, or other abuse. All implied warranties, including any implied warranty of merchantability or fitness for a particular purpose, shall be limited in duration to the express warranty period specified above.

ENM disclaims any liability for consequential damages due to breach of any written or implied warranty on its products. *Datasheet information subject to change.