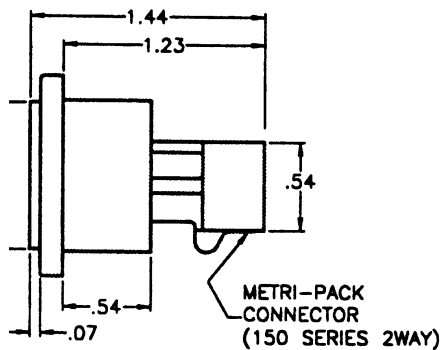


ELECTRONIC LCD Hour Meter/Counter



T1110A



T1110A



T1151AB
T1161AB

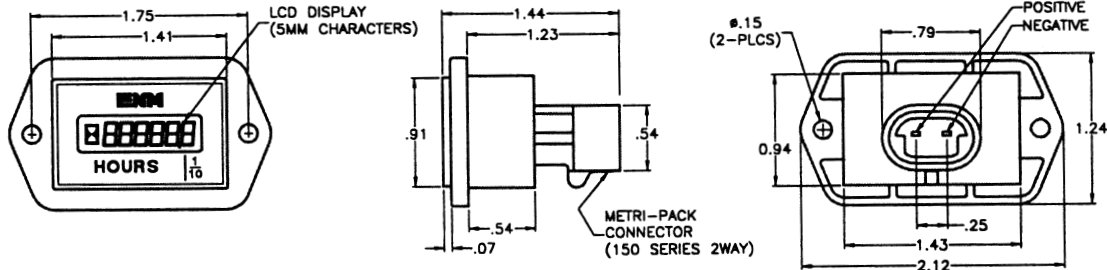
ENM's new series T1100 Hour Meter and Up or Down Counter module features a 6-digit, 7 segment LCD display. The accumulated hours or counts are stored on powerless non-volatile data backup using CMOS EEPROM technology, where small space and reliable instruments are required with memory that does not rely on a battery. Both meters are ideal for maintenance applications. Hour meter module displays hour glass and decimal point.

Specifications

Capacity:	99999.9 Hour meter (00 to 999999) Up Counter (999999 to 00) Down Counter Automatic recycle to zero.
Display height:	6 digits, 5mm LCD
Operating voltage:	4.5-16VDC, 8-28VDC, other AC and DC voltages are also available
Count speed:	100 C.P.S.
Operating current:	3mA maximum 8 to 24VDC and 10mA @ 28Vdc
Operating temperature:	Standard -40C to +85C
Vibration resistance:	Withstands 10 to 75 Hz. at 1 to 8 G's.
Shock resistance:	SAEJ137853G
Accuracy:	Better than +/-0.01%
Humidity:	95%RH+32C for 2 hours
Protected from:	Alternator load dump, inductive switching and reverse polarity.
Memory capacity:	CMOS EEPROM. Non-volatile memory has data retention in excess of 10 years without power.
Case Style:	Packard Connector. Front panel mount with new fix retaining clip. Panel mount with u-clamps.

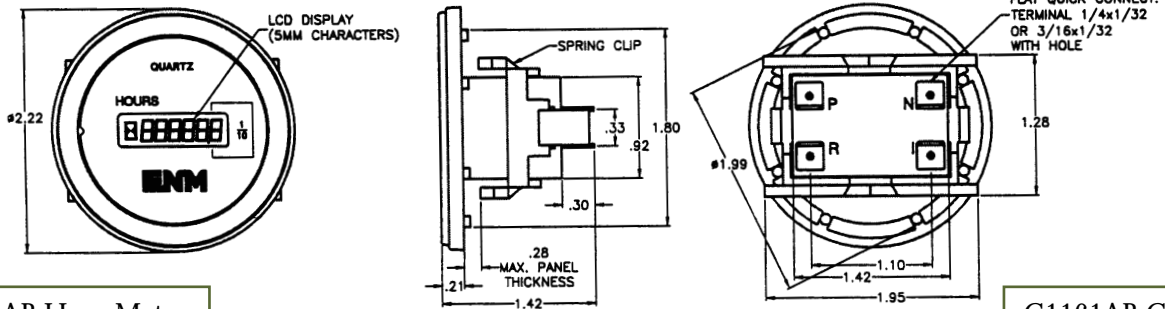
Features

- Non-volatile memory (no battery)
- High reliability
- Low cost and small size
- Low operating current
- Wide operating voltage and temperature range
- Very high shock and vibration specs
- Silent operation, no moving parts
- Non-reset option available
- Solid State Electronics
- Quartz Crystal
- Made in the U.S.A.



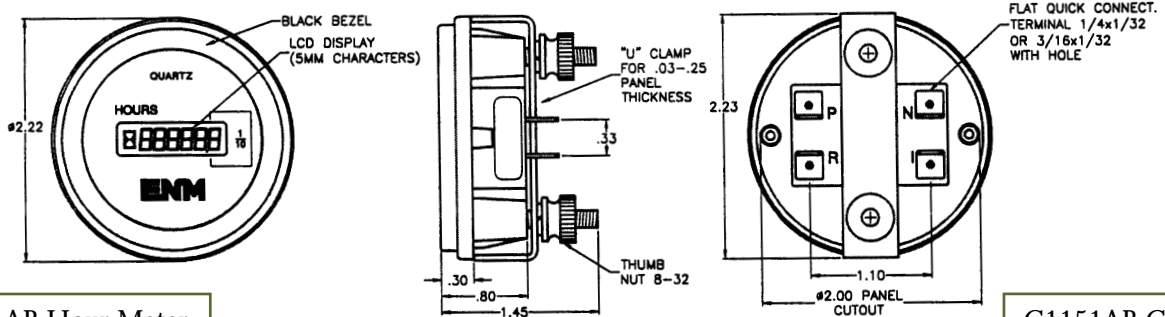
T1110A Hour Meter with Packard Connector

Counter not available



T1161AB Hour Meter

C1161AB Counter

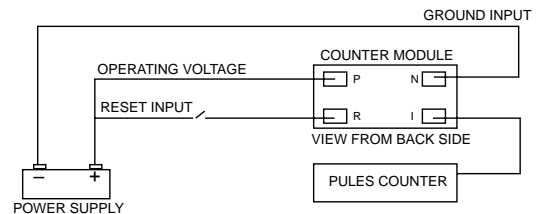
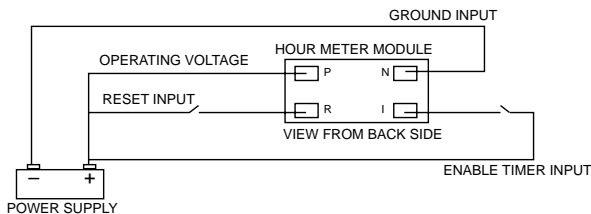


T1151AB Hour Meter

C1151AB Counter

Hour Meter

Counter



LIMITED WARRANTY

ENM Company products are warranted to be free from defects in material and workmanship for a period of 1 year. All ENM products which fall within the warranty period due to defects in material or workmanship will be repaired or replaced, at ENM's option, without charge to the consumer when returned with proof of purchase to any authorized ENM dealer in the United States, transportation charges prepaid, provided there is no evidence of improper installation, tampering, or other abuse. All implied warranties, including any implied warranty of merchantability or fitness for a particular purpose, shall be limited in duration to the express warranty period specified above. ENM disclaims any liability for consequential damages due to breach of any written or implied warranty on its products.